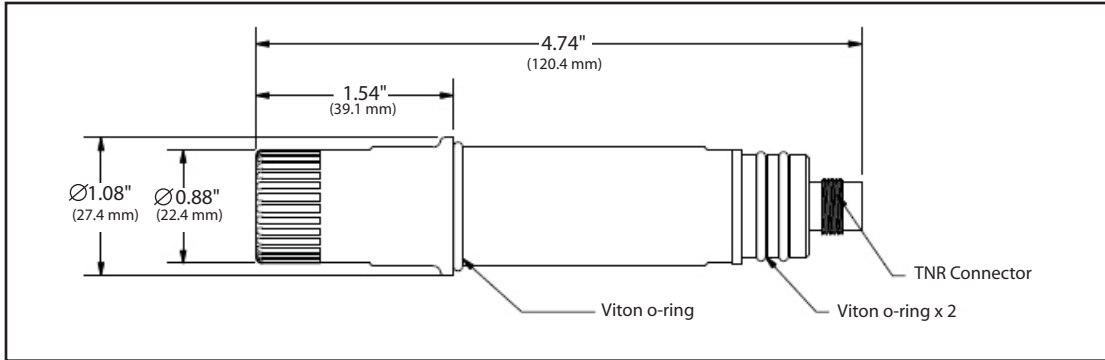
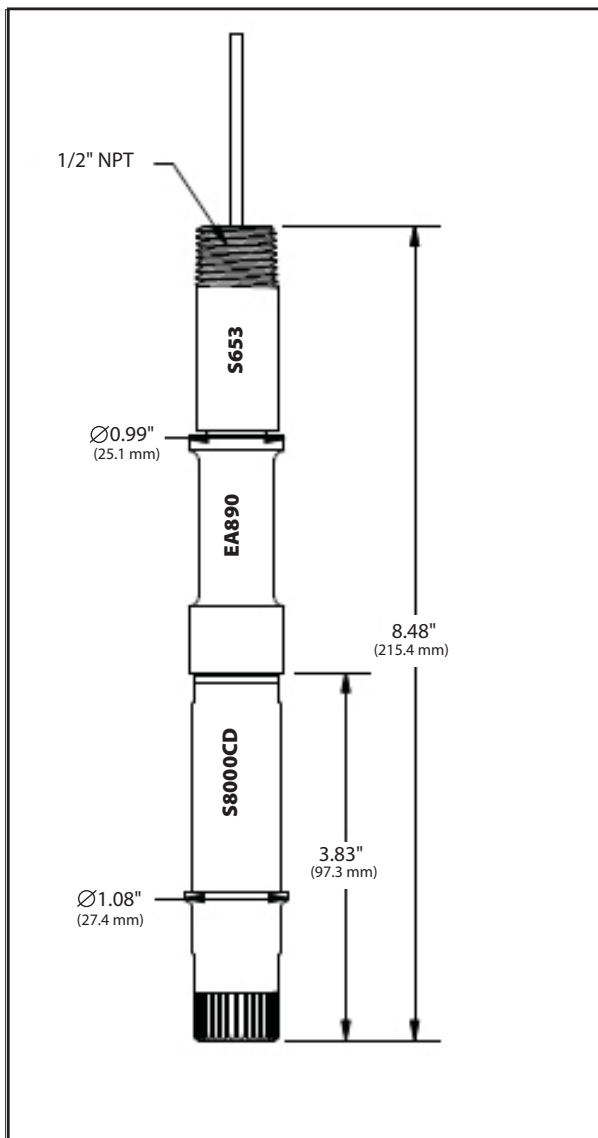


S8000 Series Outline and Dimension Drawings

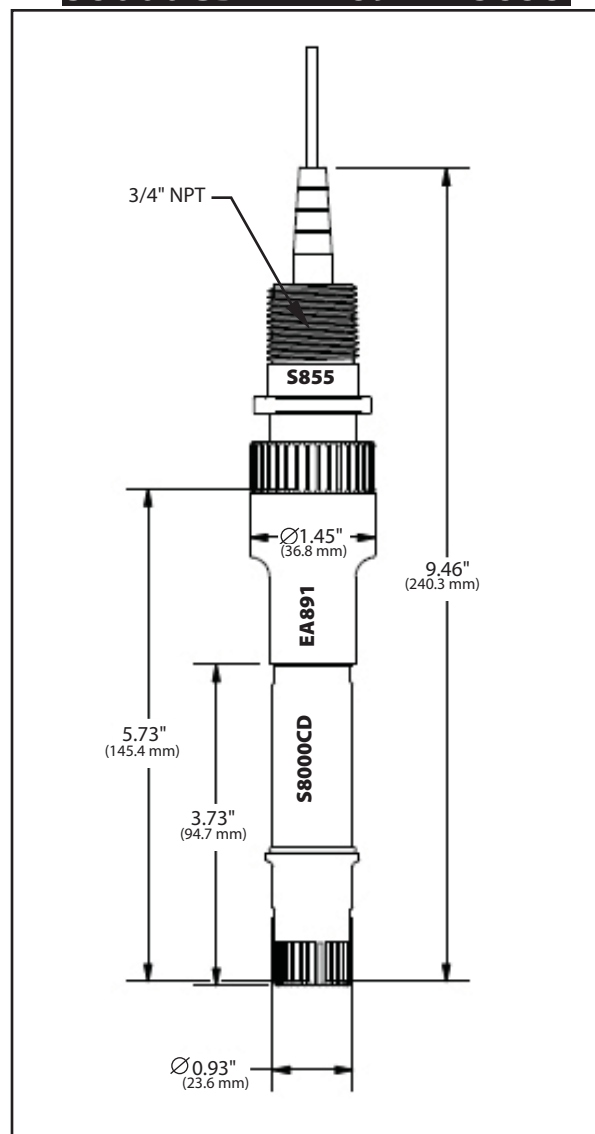
S8000CD, S8000CDHF, S8000CD-ORP, S8000CD-LC



S8000CD + EA890 + S653

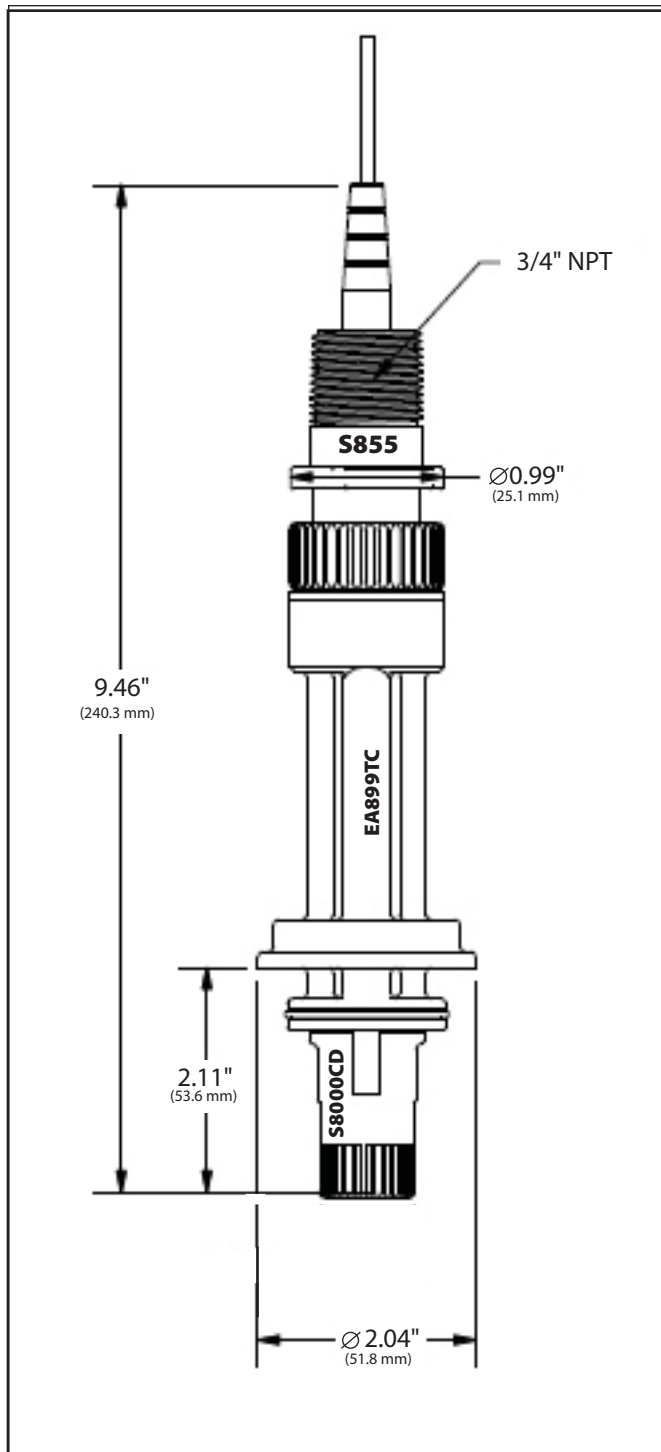


S8000CD + EA891 + S855

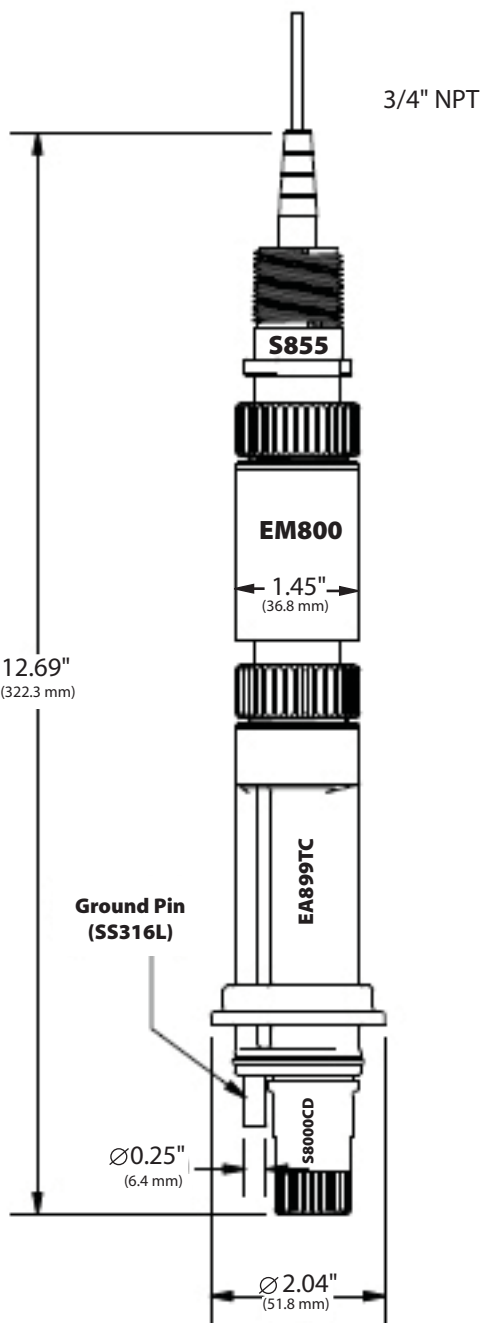


S8000 Series Outline and Dimension Drawings

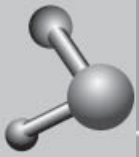
S8000CD + EA899TC + S855



S8000CD + EA899TC + EM800 + S855

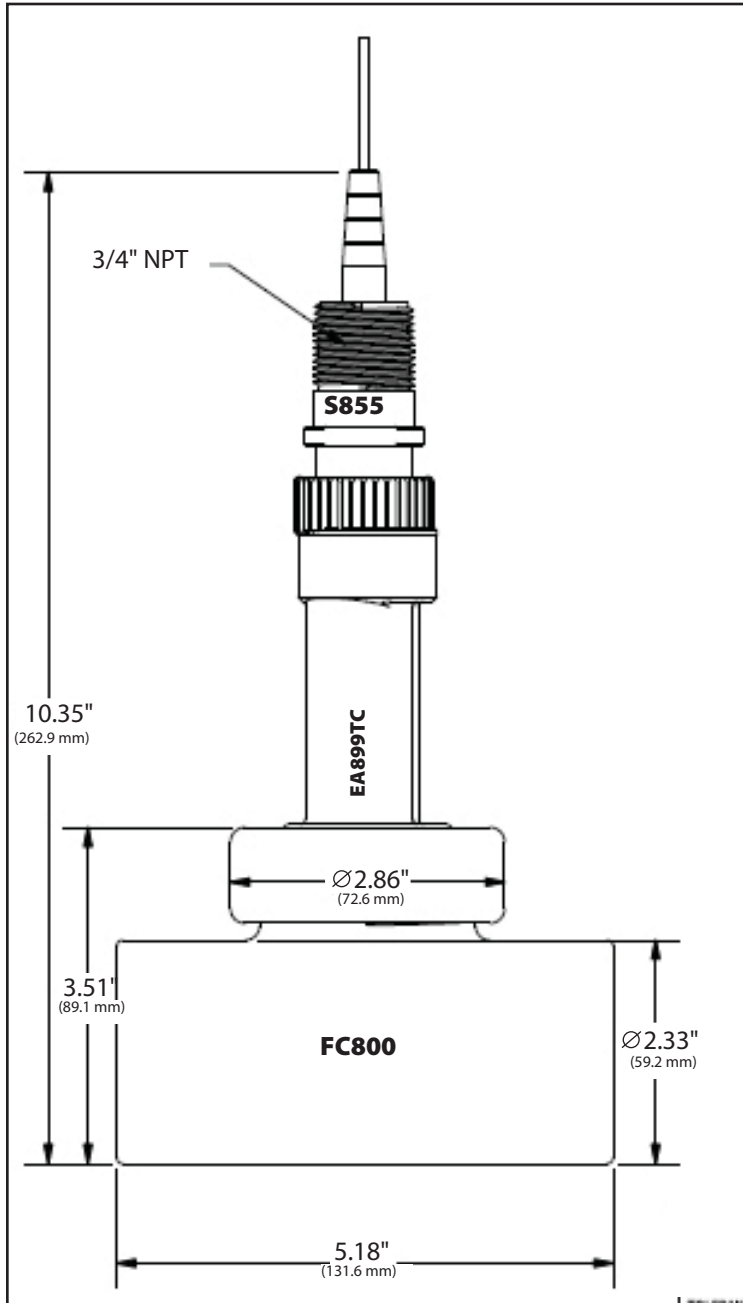


$\varnothing 2.04"$
(51.8 mm)

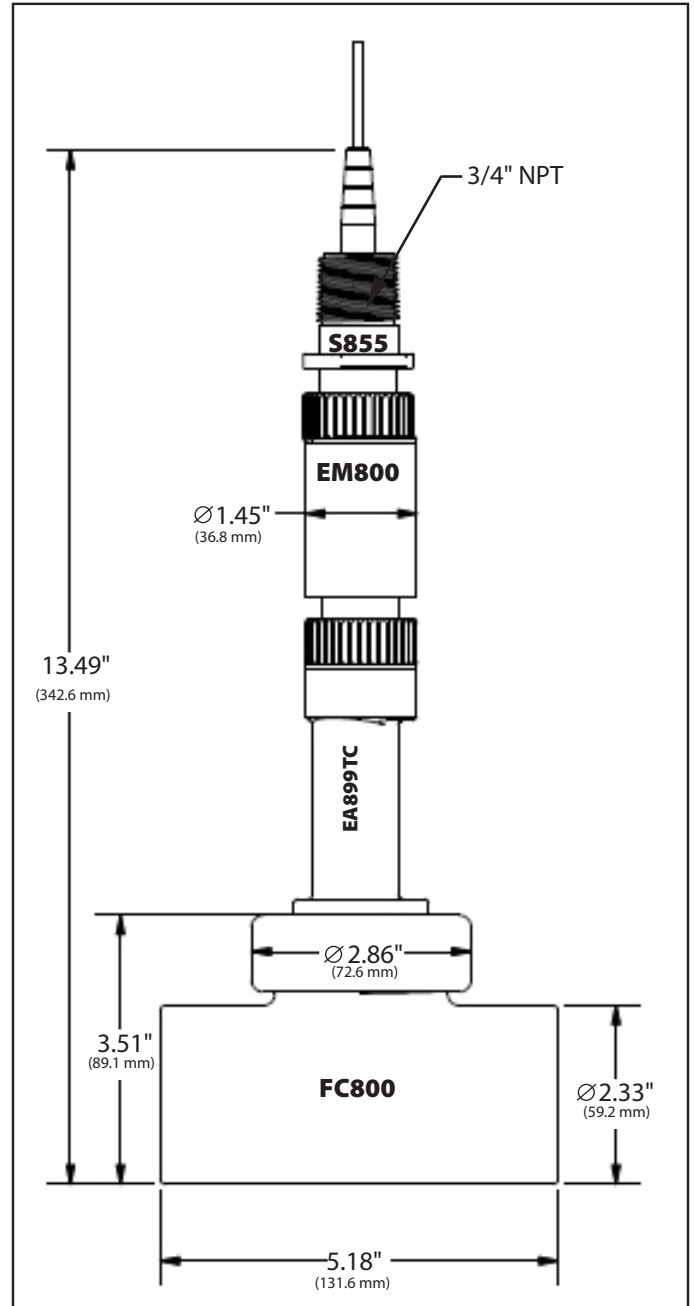


S8000 Series Outline and Dimension Drawings

**S8000CD + EA899TC
+ S855 + FC800**

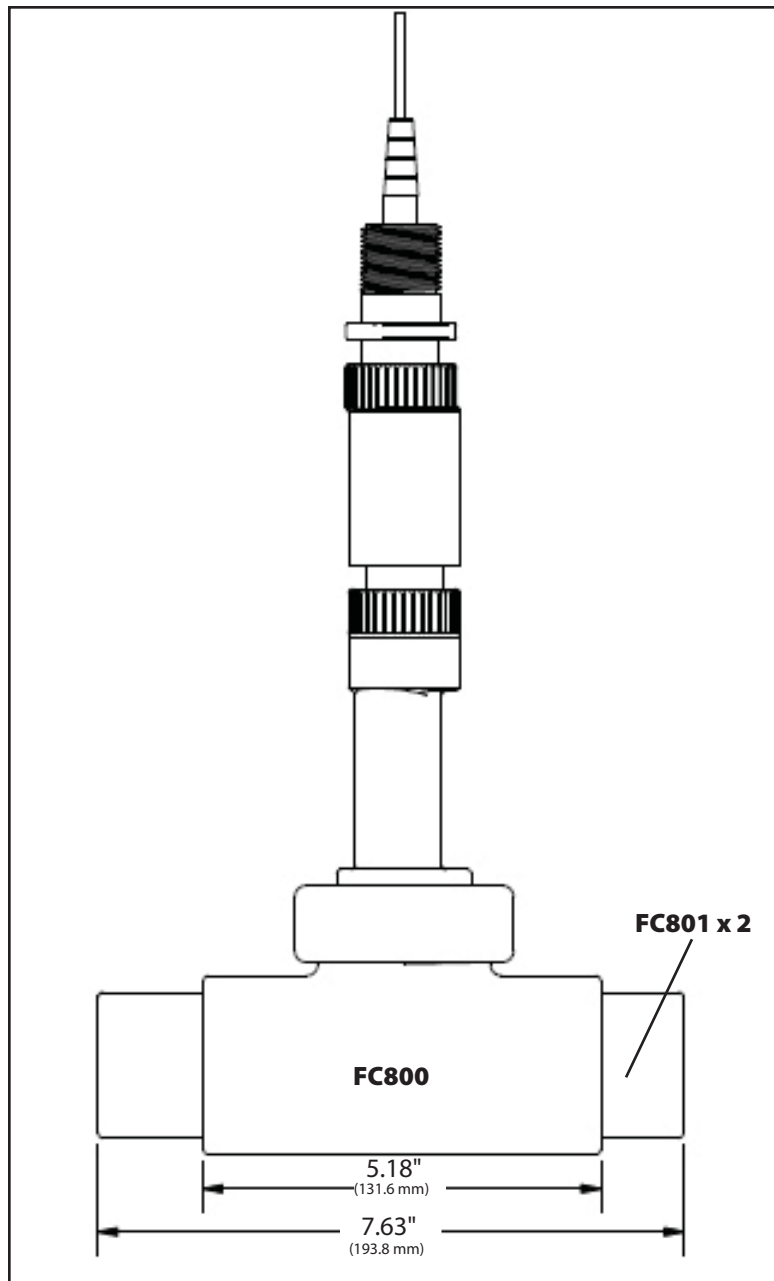


**S8000CD + EA899TC
+ S855 + FC800 + EM800**



S8000 Series Outline and Dimension Drawings

**S8000CD + EA899TC
+ S855 + FC800 + FC801**



Sensorex[®]

11751 Markon Dr.
Garden Grove, CA 92841 USA
Tel: 714-895-4344
Fax: 714-894-4839
E-mail: info@sensorex.com
www.sensorex.com